

Document Name: Barelement_125cm

Page / Seite 1 - Rahmen

Page001 / Seite 2 - Front

Page003 / Seite 3 - Bein

Page004 / Seite 4 - Tischplatte

F E D C B A

4

3

2

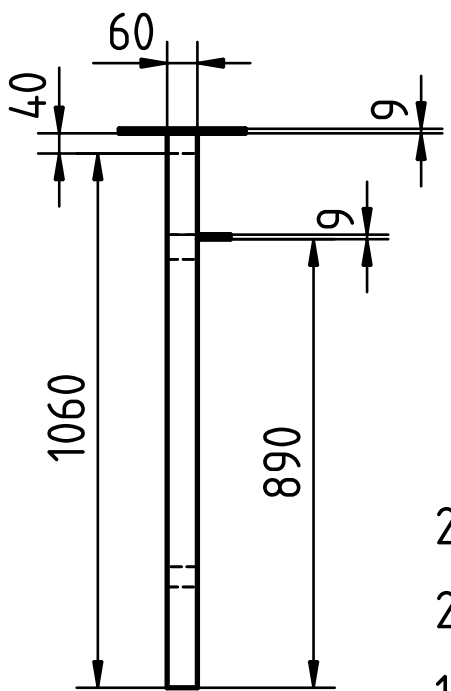
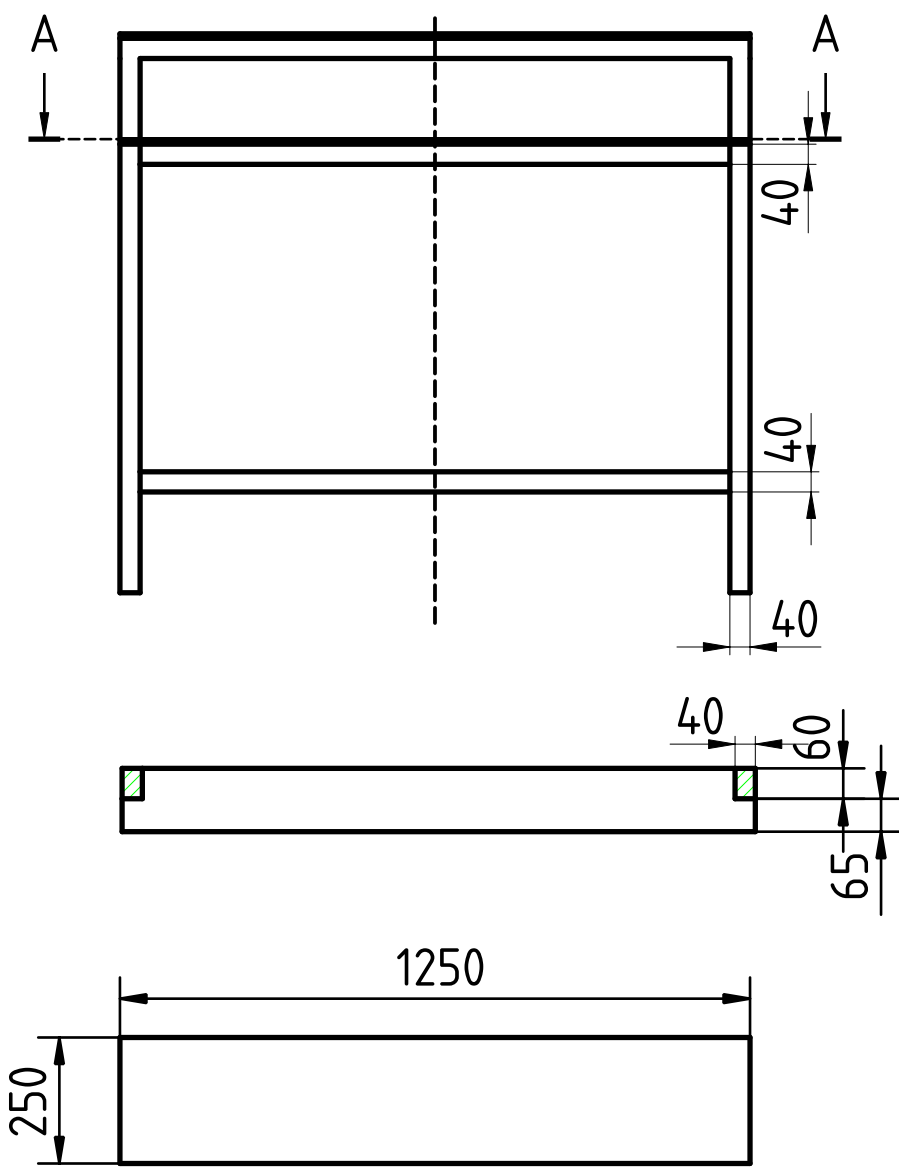
1

4

3

2

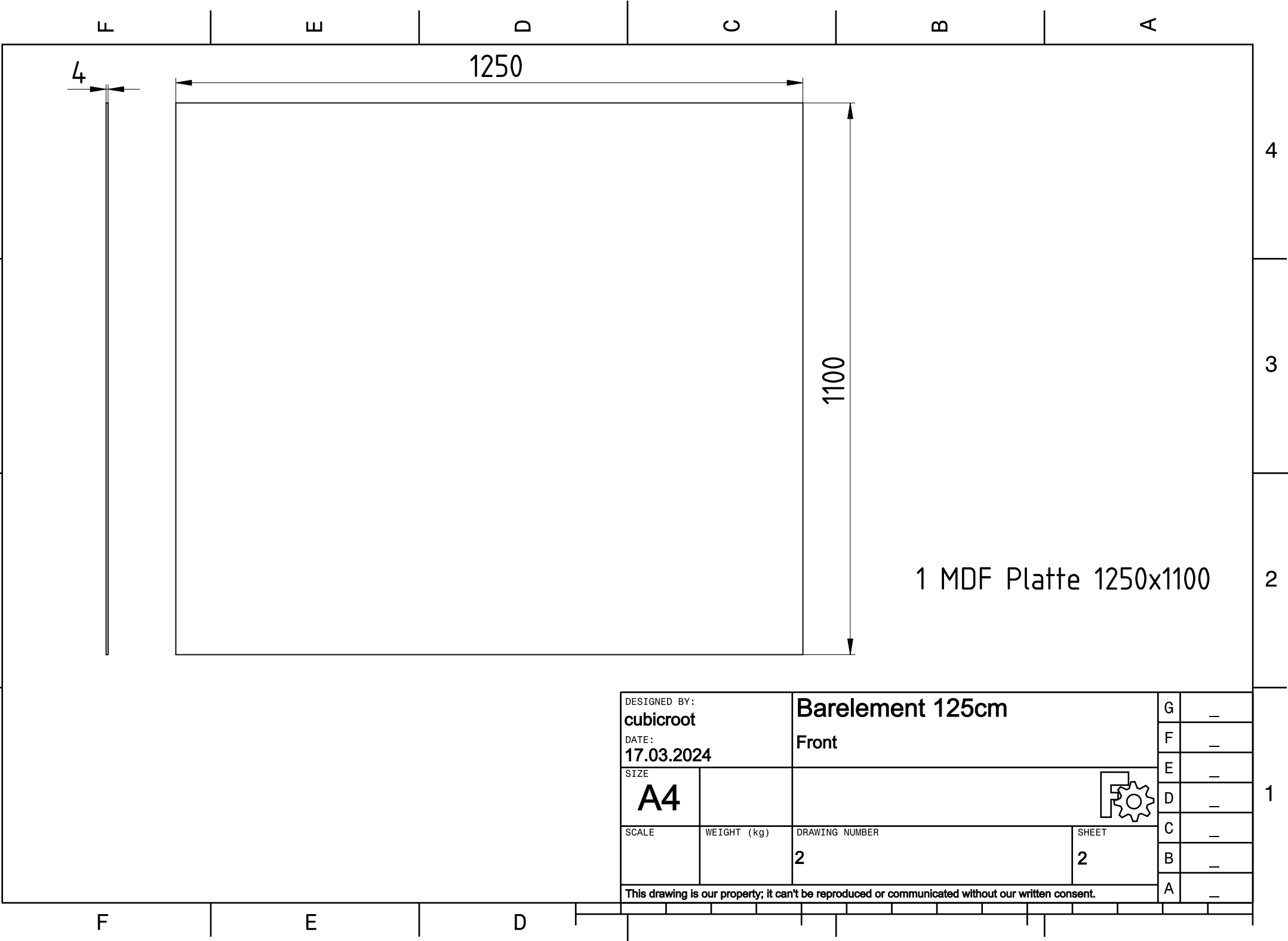
1



- 2x Balken 60x40x1060
- 2x Balken 60x40x1170
- 1x Balken 60x40x1250
- 1x Siebdruckplatte 1250x125x9
- 1x Siebdruckplatte 1250x250x9

DESIGNED BY: cubicroot		Barelement 125cm		G	—
DATE: 17.03.2024		Innerer Rahmen		F	—
SIZE A4				E	—
				D	—
SCALE	WEIGHT (kg)	DRAWING NUMBER	SHEET	C	—
		1	1	B	—
This drawing is our property; it can't be reproduced or communicated without our written consent.				A	—

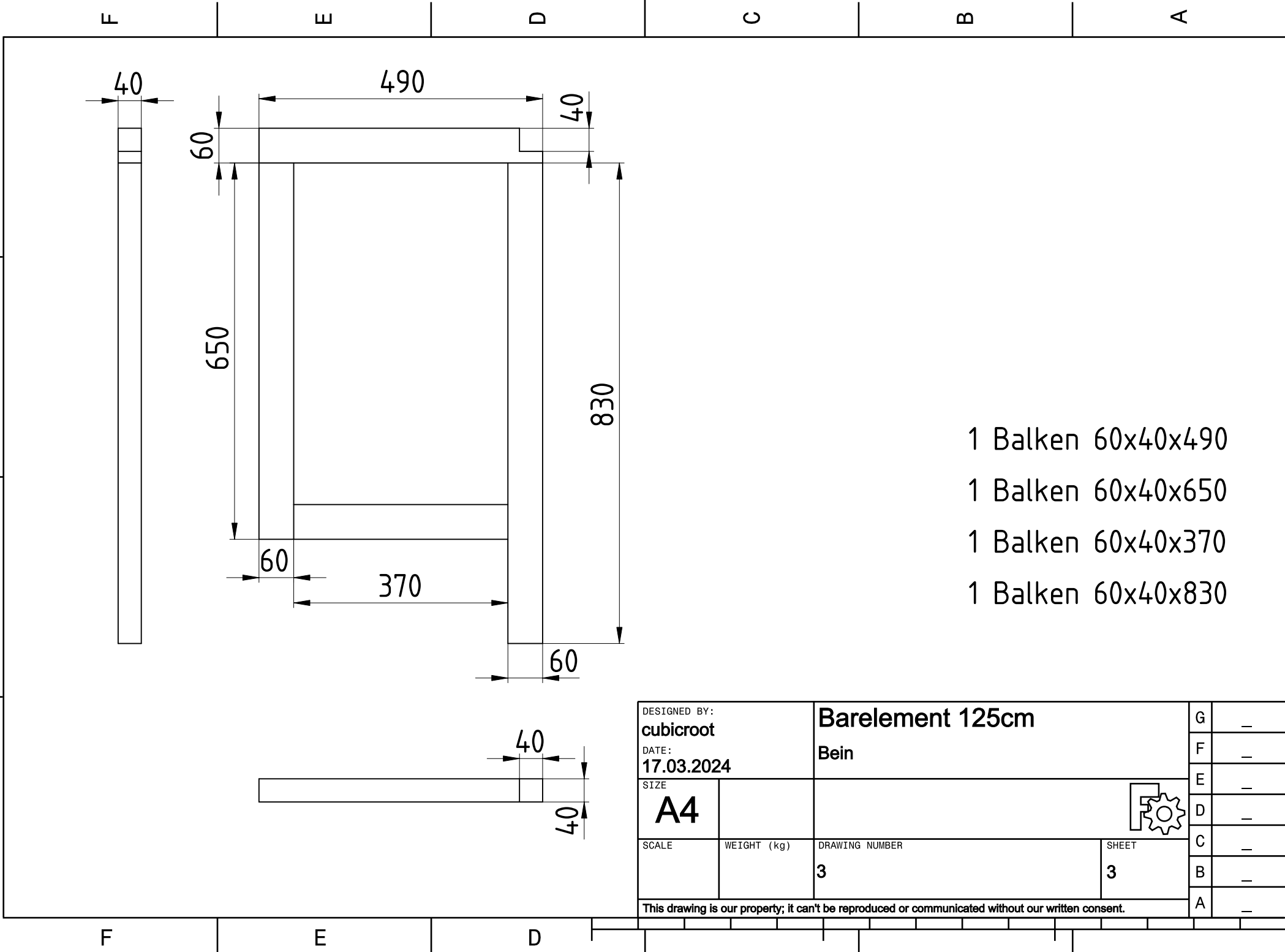
F E D



1 MDF Platte 1250x1100

DESIGNED BY: cubicroot		Barelement 125cm		G	—
DATE: 17.03.2024		Front		F	—
SIZE A4				E	—
				D	—
SCALE	WEIGHT (kg)	DRAWING NUMBER	SHEET	C	—
		2	2	B	—
This drawing is our property; it can't be reproduced or communicated without our written consent.				A	—





DESIGNED BY: cubicroot		Barelement 125cm		G	—
DATE: 17.03.2024		Bein		F	—
SIZE A4				E	—
				D	—
SCALE	WEIGHT (kg)	DRAWING NUMBER	SHEET	C	—
		3	3	B	—
This drawing is our property; it can't be reproduced or communicated without our written consent.				A	—

F

E

D

C

B

A

4

4

3

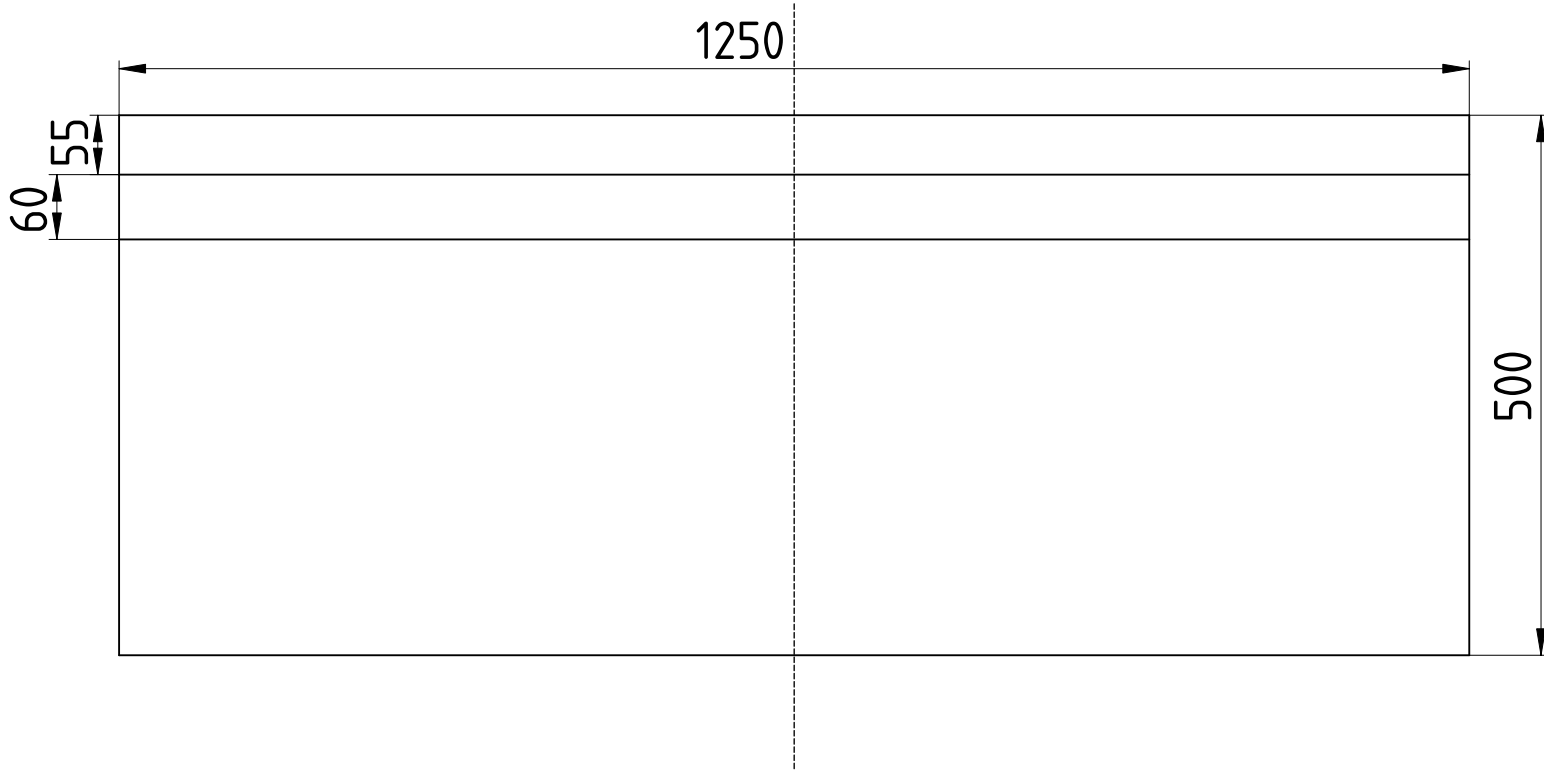
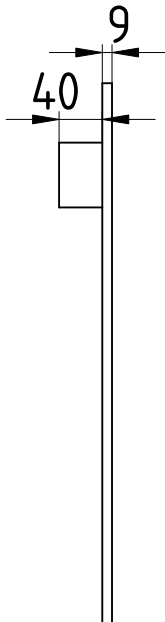
3

2

2

1

1



1 Balken 60x40x1250

1 Siebdruckplatte 1250x500x9

DESIGNED BY: cubicroot		Barelement 125cm		G	—
DATE: 17.03.2024		Tischplatte		F	—
SIZE A4				E	—
				D	—
SCALE	WEIGHT (kg)	DRAWING NUMBER	SHEET	C	—
		4	4	B	—
This drawing is our property; it can't be reproduced or communicated without our written consent.				A	—

F

E

D

C

B

A