

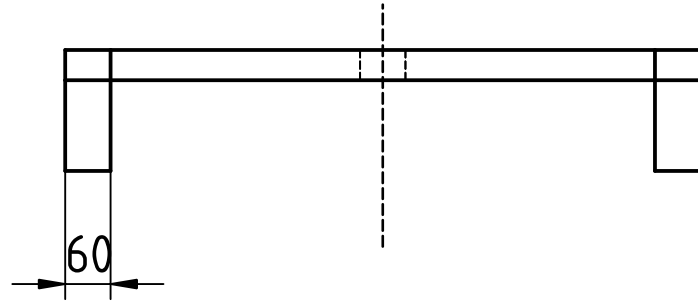
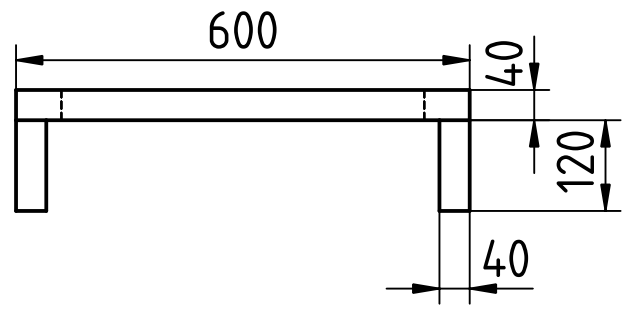
Document Name: Podest

Page / Zeichnung Gestell

Page001 / Page001

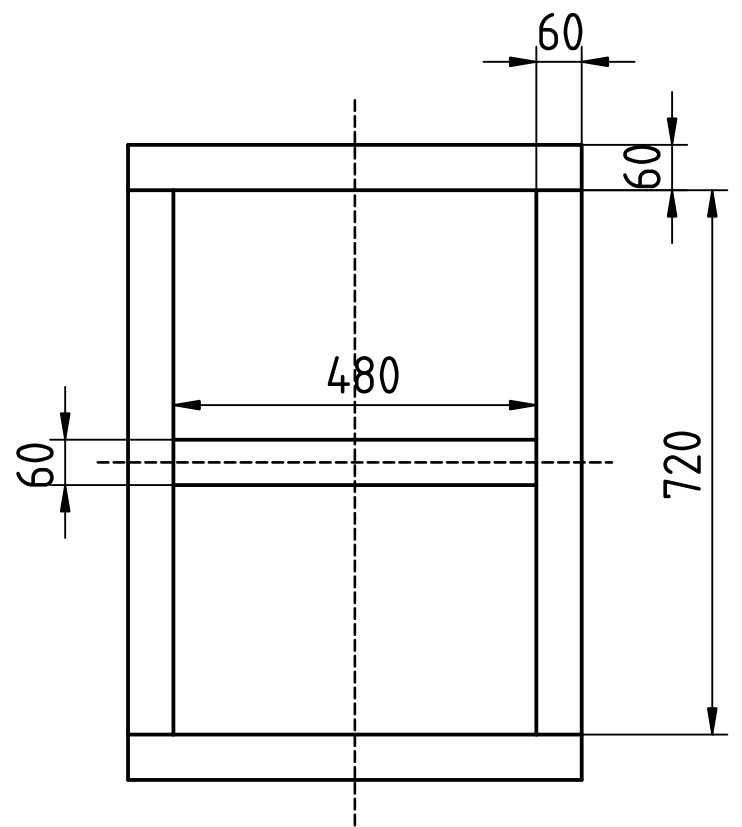
F E D C B A

4



4

3



3


- 2 Balken 60x40x600
- 1 Balken 60x40x480
- 2 Balken 60x40x720
- 4 Balken 60x40x120

2

2

1

1

| | | | | | |
|--|-------------|---|----------|---|---|
| DESIGNED BY: cubicroot | | Tschunk-Rückgabe-Podest | | G | — |
| DATE: 24.03.2024 | | Passend für Euroboxen 60x40cm | | F | — |
| SIZE A4 | |  | | E | — |
| | | | | D | — |
| SCALE | WEIGHT (kg) | DRAWING NUMBER | SHEET | C | — |
| | | 1 | 1 | B | — |
| This drawing is our property; it can't be reproduced or communicated without our written consent. | | | | A | — |

F E D

F

E

D

C

B

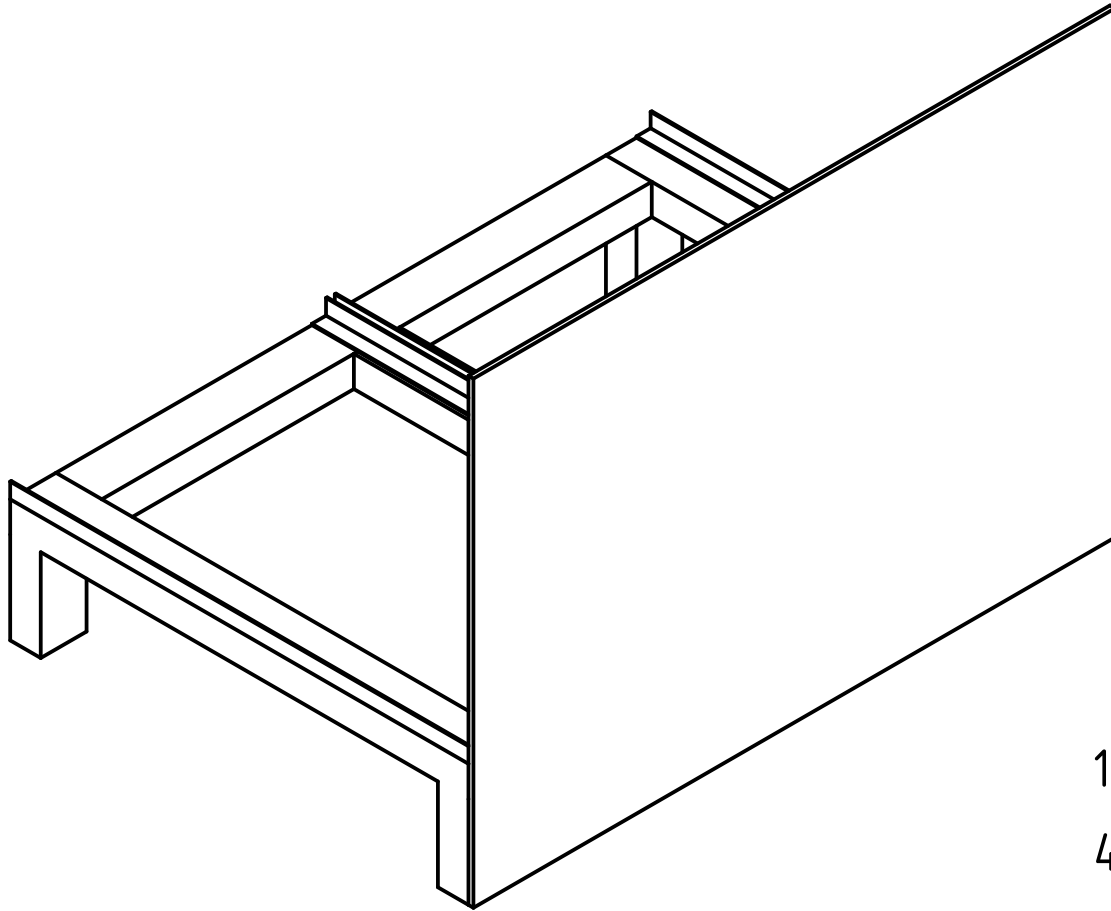
A

4


3

2

1



1x Siebdruckplatte 600x840x6,5
 4x Alu L-Profil 20x20 (1,5mm Stärke)

| | | | | | |
|--|-------------|---|----------|---|---|
| DESIGNED BY: cubicroot | | Tschunk-Rückgabe-Podest | | G | — |
| DATE: 24.03.2024 | | Passend für Euroboxen 60x40 | | F | — |
| SIZE A4 | |  | | E | — |
| | | | | D | — |
| SCALE | WEIGHT (kg) | DRAWING NUMBER | SHEET | C | — |
| | | 2 | 2 | B | — |
| This drawing is our property; it can't be reproduced or communicated without our written consent. | | | | A | — |

F

E

D