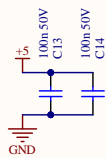
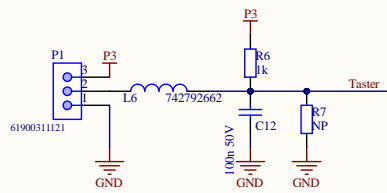
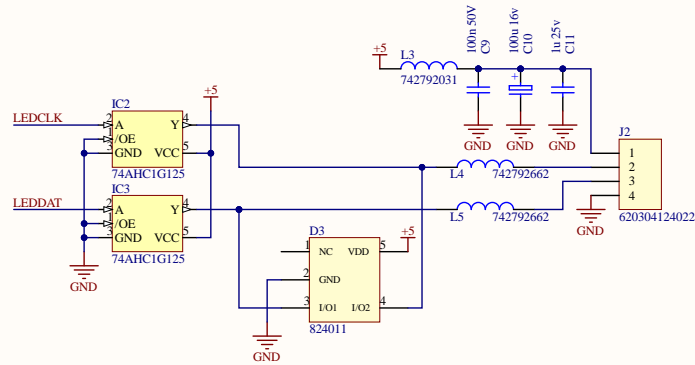
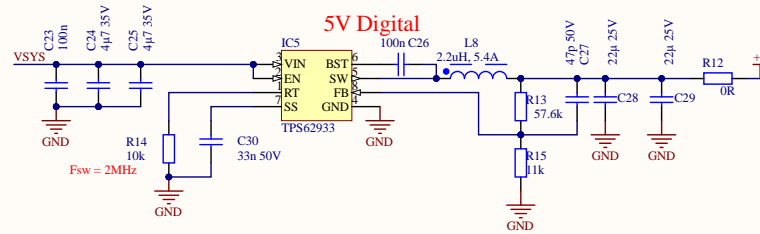
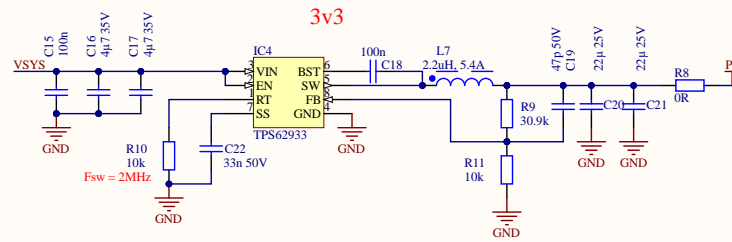


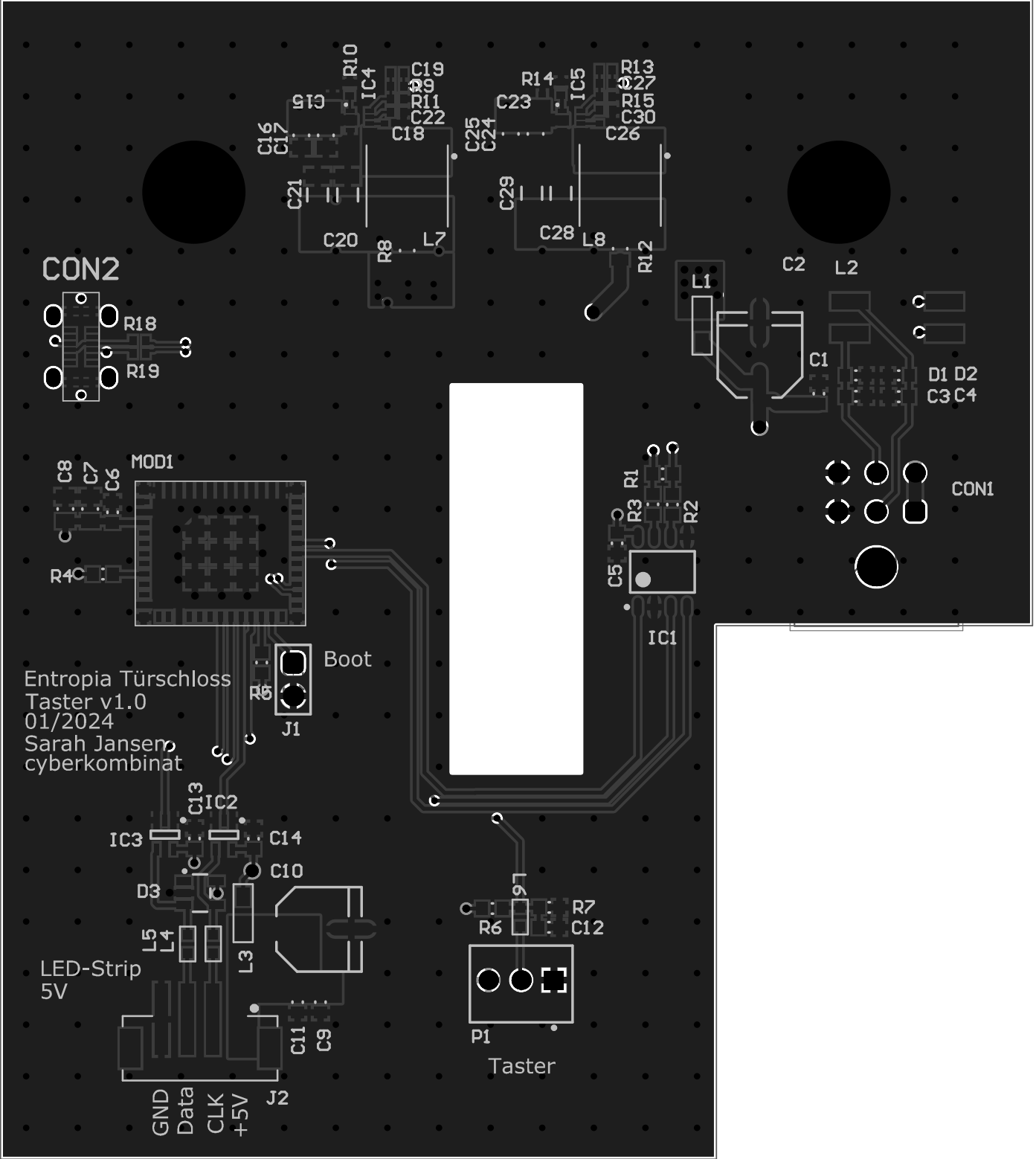
Title		
Size A3	Number	Revision
Date: 3.10.2024	Sheet of	
File: C:\Users\...485_01.SchDoc	Drawn By:	



Title		
Size A3	Number	Revision
Date: 3.10.2024	Sheet of	
File: C:\Users\... \HID_01.SchDoc	Drawn By:	



Title		
Size	Number	Revision
A3		
Date:	3.10.2024	Sheet of
File:	C:\Users\...Supply_01.SchDoc	Drawn By:



Entropia Türschloss
Taster v1.0
01/2024
Sarah Jansen
cyberkombinat

CON2

MOD1

LED-Strip
5V

GND
Data
CLK
+5V
J2

Boot

P1
Taster

CON1